

ELECTRONICS CORP.

BARGRAPH DISPLAY, MB202-5A

DESCRIPTION

Mitani's gas plasma bargraph display tube is made with a thin, flat type construction. Gases are sealed in the tube so as to provide even and stable discharge and brightness of cells. Thus, our products have an excellent reputation after being used and evaluated by our customers.

FEATURES

1. Display can be seen easily.
2. Brightness is uniform over the length of the tube.
3. Brightness is controllable.
4. Response is quick.
5. Shock-proof and solid construction.
6. Reliability is high.

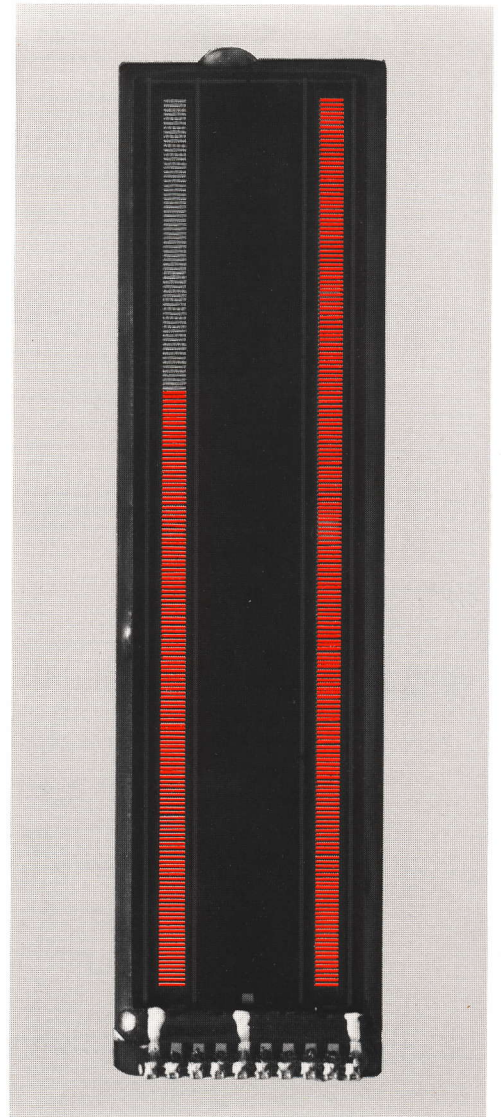
APPLICATION

Tubes are used for measurement apparatus such as process meters, level indicators, VU meters, automobile meters, analog indicators and etc.

CONSTRUCTION AND OPERATION

Thick films are screen printed on glass plates thereby forming dielectric cells and electrodes. Front and rear glass plates are sealed with frits leaving a narrow spaces between the glass plates, then inert gases are sealed in the tube. The display tube operates on D.C., with five phases and pre-scan.

The tube is comprised of two bars, each with 201 segments including re-set segment.

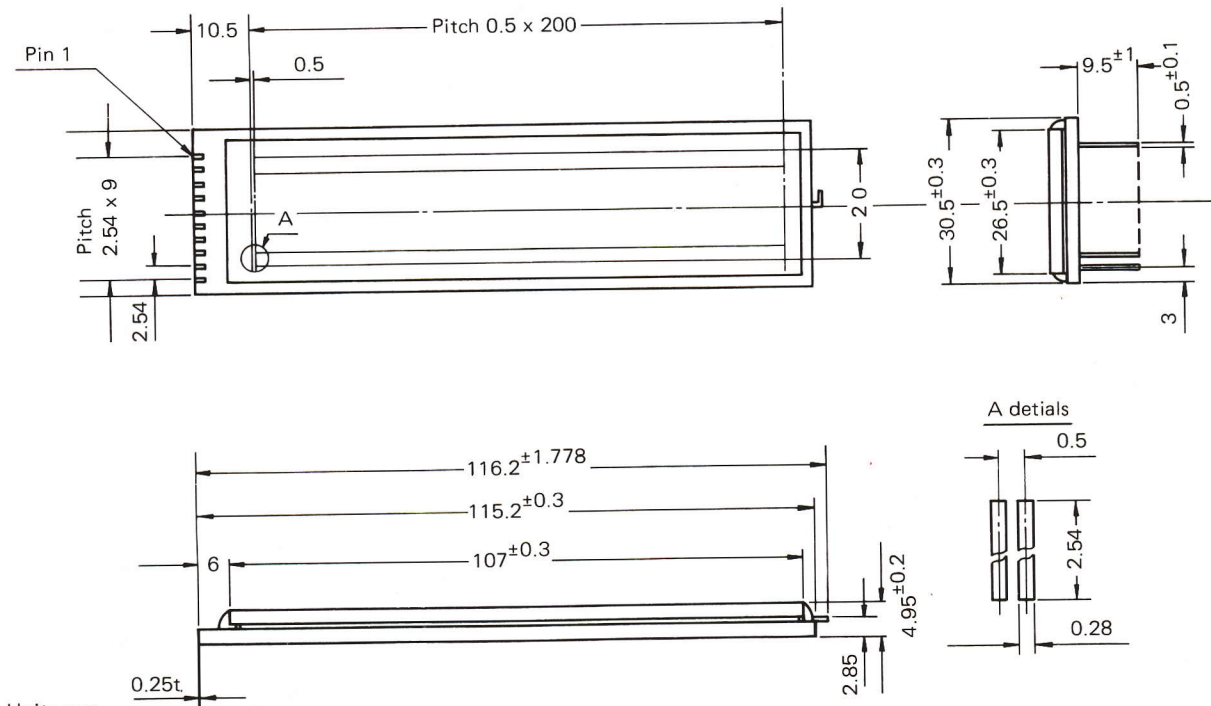


SPECIFICATIONS

Viewing area:	3.5 mm x 102.8 mm
Size, segment:	2.54 mm x 0.28 mm
Pitch, segment:	0.5 mm
Color:	Neon Orange
Weight:	43 g
Brightness:	40 ft-L
Viewing angle:	120°
Supply voltage:	DC 250V ± 15V
Voltage, discharge sustaining:	DC 155V
Current, Anode:	DC 4 $\begin{matrix} +1.0 \\ -0.5 \end{matrix}$ mA
Current, seed fire:	100 μ A
Cycle, refresh:	70 Hz

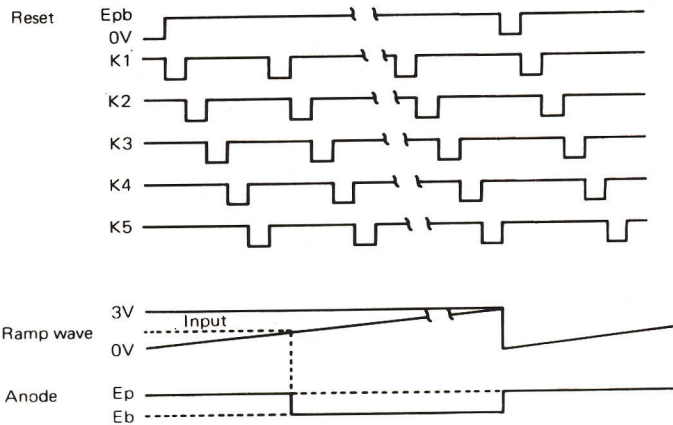
**HI-TECH COMPONENTS
AND PLASTICS CO.**
A Division of
Mitsubishi International Corporation
520 Madison Avenue
New York, New York 10022

DIMENSIONS

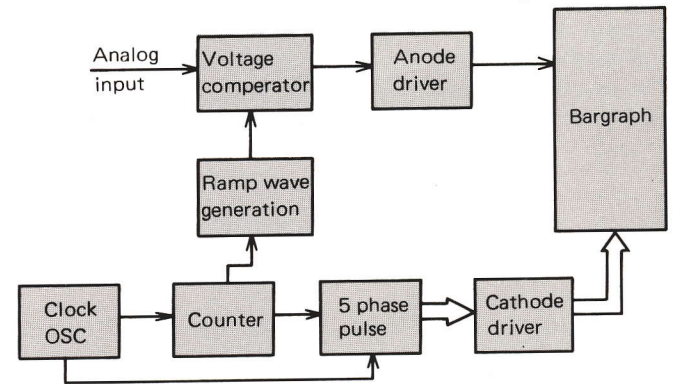


Unit: mm

TIMING CHART



BLOCK DIAGRAM



PIN CONNECTION TABLE

Pin No.	Connection
1	Anode No. 1
2	Cathode No. 2
3	Cathode No. 1
4	Reset cathode
5	Seed fire anode
6	Seed fire cathode
7	Cathode No. 4
8	Cathode No. 3
9	Cathode No. 5
10	Anode No. 2

MITANI ELECTRONICS CORP.

25-1, Minami-cho 6-chome, Fuchu, Tokyo, 183 Japan
Tel. 0423-60-5111, TELEX.2832-661 MITANIJ, FAX.0423-60-5157

AGENT
HI-TECH COMPONENTS AND PLASTICS CO.
A DIVISION OF
MITSUBISHI INTERNATIONAL CORPORATION
520 MADISON AVENUE, NEW YORK, N. Y. 10022