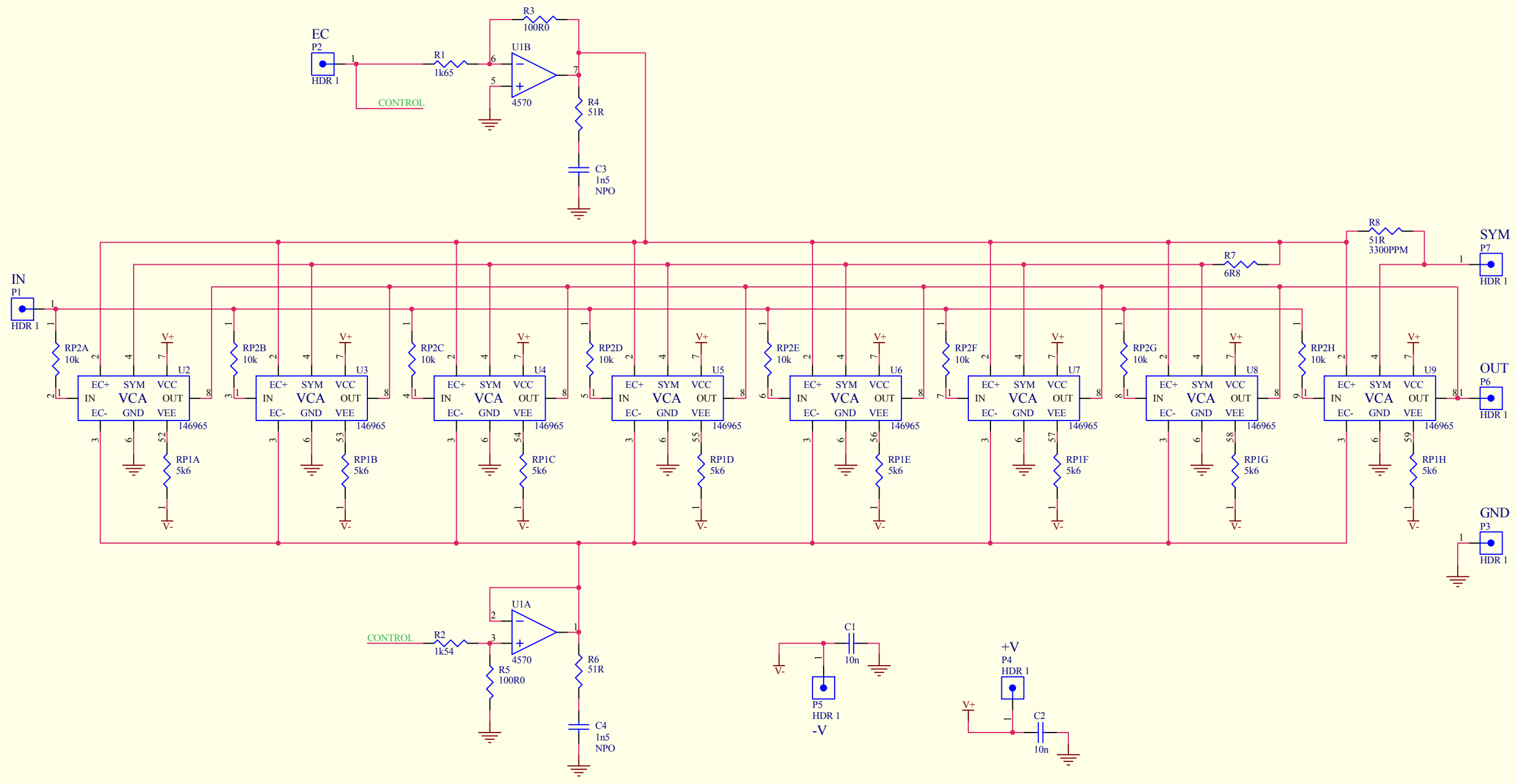


This document and the data disclosed herein or herewith is not to be reproduced, used, or disclosed in whole or in part to anyone without the written permission of THAT Corporation.

| Rev | Description | Date | Approved |
|-----|--------------|------|----------|
| | See page one | | |



THAT Corporation 734 Forest Street
Marlborough, MA 508-229-2500

Title: **202XT VCA Module Schematic**

| | | |
|---|-------------------------------|---------------------|
| Size: B | Drawing Number: 330001 | Revision: 01 |
| Date: 17-Jun-2005 | Drawn by: m.a.c. | Sheet 2 of 2 |
| File: P:\DATA\THAT\202\SCH\001-0201.SCH | | |

| | |
|------|------|
| TYPE | 4570 |
| DES | U1 |
| V+ | 8 |
| V- | 4 |

| | |
|-------------|-------|
| Checked: | Date: |
| Proj. Eng.: | Date: |
| Chf. Eng.: | Date: |
| Production: | Date: |