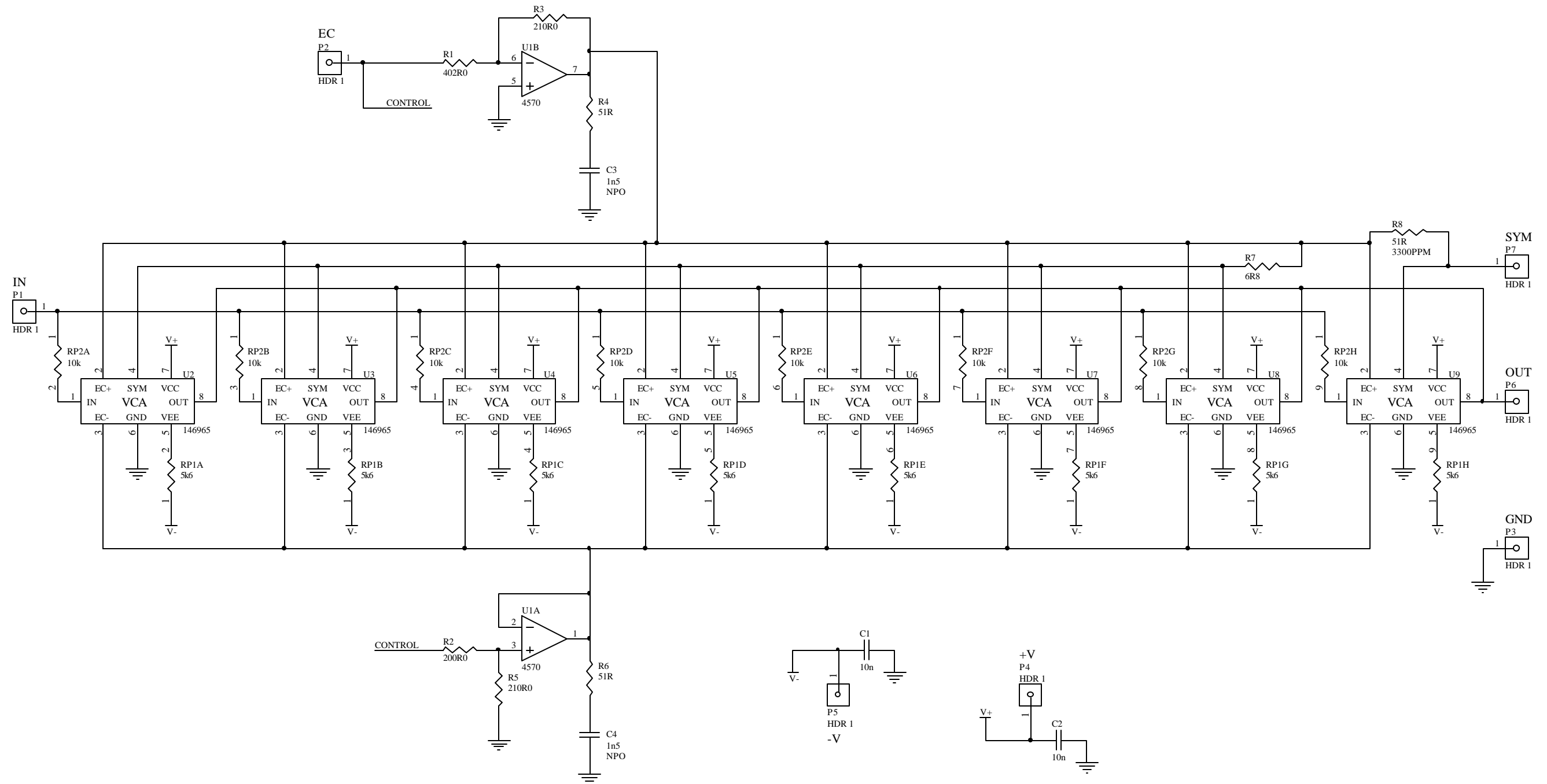


This document and the data disclosed herein or herewith is not to be reproduced, used, or disclosed in whole or in part to anyone without the written permission of THAT Corporation.

Rev	Description	Date	Approved
	See page one		



THAT Corporation 734 Forest Street
Marlborough, MA 01820
508-229-2500

Title:		202R VCA Module Schematic	
Checked:	Date:	Proj. Eng.:	Date:
Chf. Eng.:	Date:	Production:	Date:
Size: B	Drawing Number: 330004	Revision: 01	Sheet 2 of 2
Date: 29-Jan-2002	Drawn by: m.a.c.	File: P:\DATA\THAT\202\SCH\004-0201.SCH	

TYPE	4570
DES	U1
V+	8
V-	4