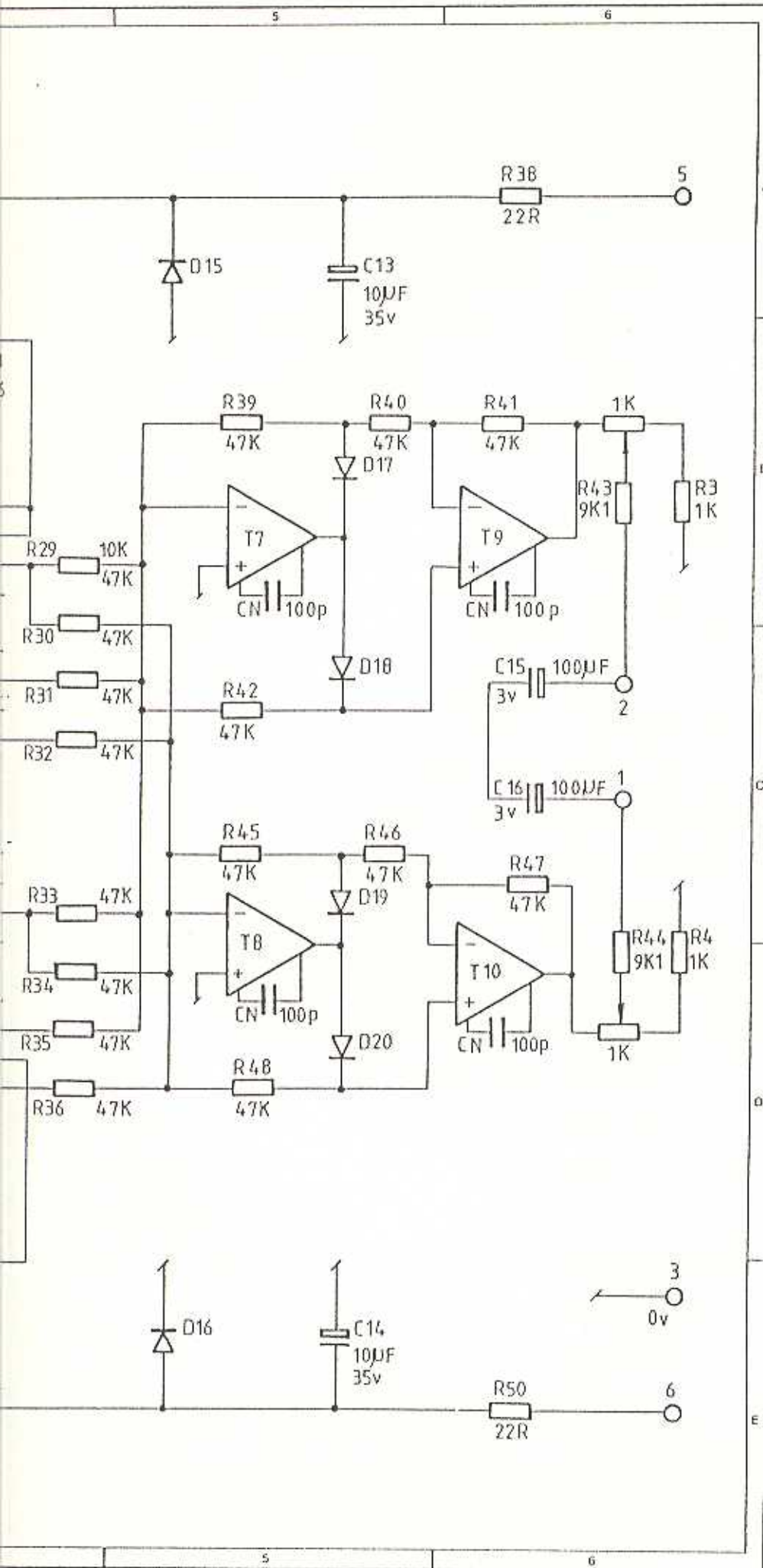


NOTES.

1. ALL DIODES 1544 UNLESS OTHERWISE STATED.
2. ALL IC'S LF351 UNLESS OTHERWISE STATED.

Copyright © SSL. All rights reserved.
 This document may not be reproduced in any form without the written permission of SSL.

Rev.	Date	Details	
2	5.84	REDRAWN	V.B.



Title		WIDE RANGE PRECISION PHASEMETER.	
Drg. No.		T82005-71	
Solid State Logic			
		12-1	